

12923

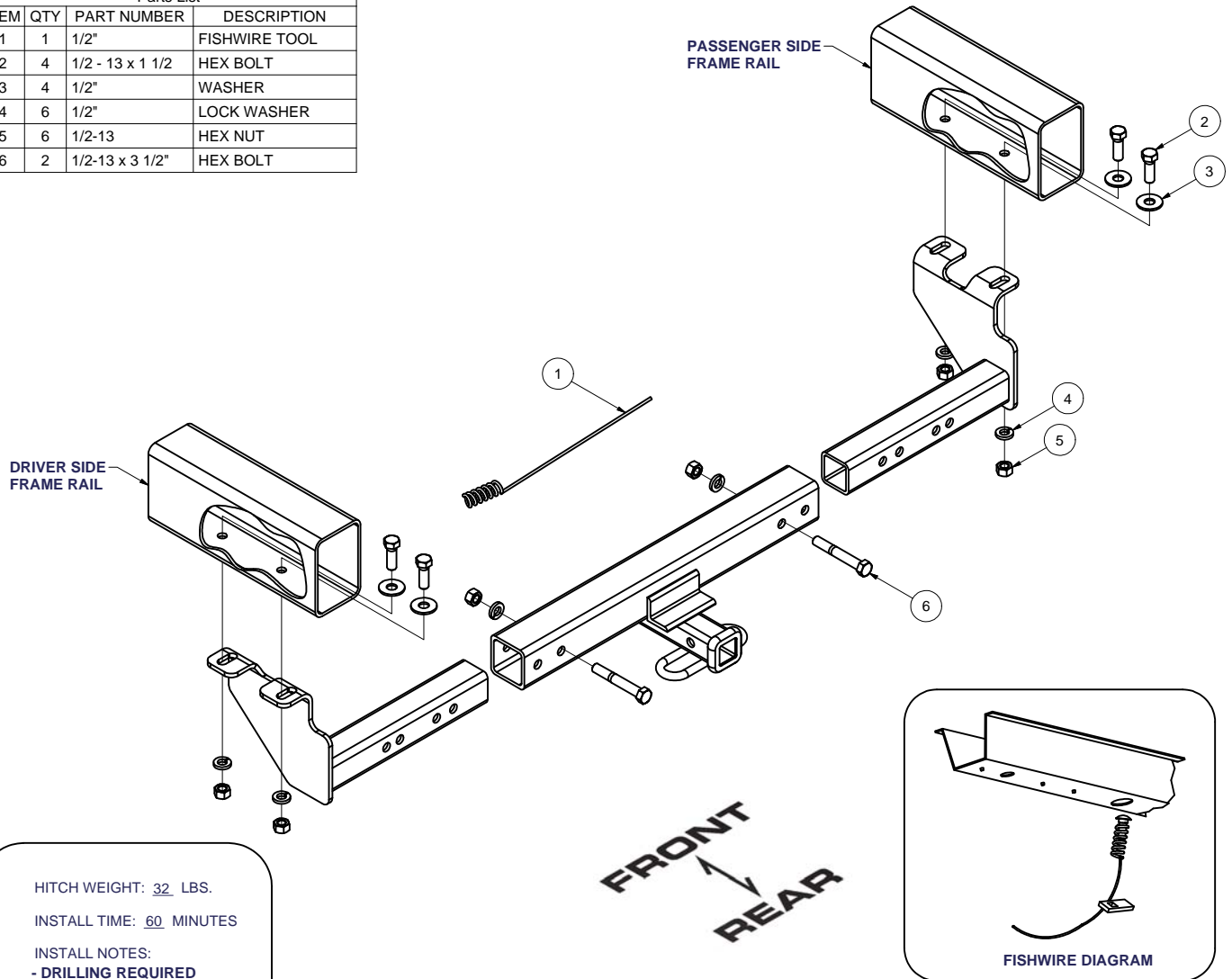
MULTI - FIT CLASS II

7/14/2011

VISIT WWW.HITCHINFO.COM FOR CURRENT APPLICATION COVERAGE,
INSTALLATION SUPPORT AND BENEFICIAL TOWING INFORMATION

GROSS LOAD CAPACITY WHEN USED AS A WEIGHT CARRYING HITCH: 3500 LBS. TRAILER WEIGHT & 350 LBS. TONGUE WEIGHT.
DO NOT EXCEED VEHICLE MANUFACTURER'S RECOMMENDED TOWING CAPACITY.

Parts List			
ITEM	QTY	PART NUMBER	DESCRIPTION
1	1	1/2"	FISHWIRE TOOL
2	4	1/2 - 13 x 1 1/2	HEX BOLT
3	4	1/2"	WASHER
4	6	1/2"	LOCK WASHER
5	6	1/2-13	HEX NUT
6	2	1/2-13 x 3 1/2"	HEX BOLT



HITCH WEIGHT: 32 LBS.
INSTALL TIME: 60 MINUTES
INSTALL NOTES:
- DRILLING REQUIRED
- FISHWIRE FASTENERS

INSTALLATION STEPS

- 1) To fit hitch on your vehicle's frame, see listing on page (2) for appropriate diagram letter (A)-(B)-(C)-(D)-(E)-(F), shown of page (2) using the appropriate holes shown.
- 2) Once appropriate holes are identified, assemble hitch as shown in the diagram above using 1/2" x 3-1/2" bolts, lockwashers and nuts.
- 3) Hold hitch up to frame and bolt using 1/2" x 1-1/2" bolts, flat washers, lock washers, and nuts.
(Note: some vehicles may require you to fishwire fasteners into position.)

Note: Some vehicles require drilling of the frame. Raise hitch into position and center on vehicle frame. Mark and drill frame using a 9/16" drill.

PERIODICALLY CHECK THIS RECEIVER HITCH TO ENSURE THAT ALL FASTENERS ARE TIGHT AND THAT ALL STRUCTURAL COMPONENTS ARE SOUND.

Curt Manufacturing Inc., warrants this product to be free of defects in material and/or workmanship at the time of retail purchase by the original purchaser. If the product is found to be defective, Curt Manufacturing Inc., may repair or replace the product, at their option, when the product is returned, prepaid, with proof of purchase. Alteration to, misuse of, or improper installation of this product voids the warranty. Curt Manufacturing Inc.'s liability is limited to repair or replacement of products found to be defective, and specifically excludes liability for incidental or consequential loss or damage.