

13950 / RRH13950

MULTI-FIT CLASS III

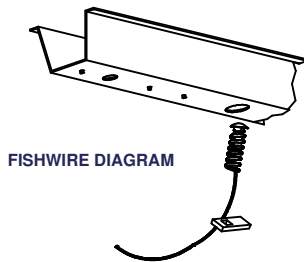
8/22/2007

VISIT WWW.HITCHINFO.COM FOR CURRENT APPLICATION COVERAGE,
INSTALLATION SUPPORT AND BENEFICIAL TOWING INFORMATION

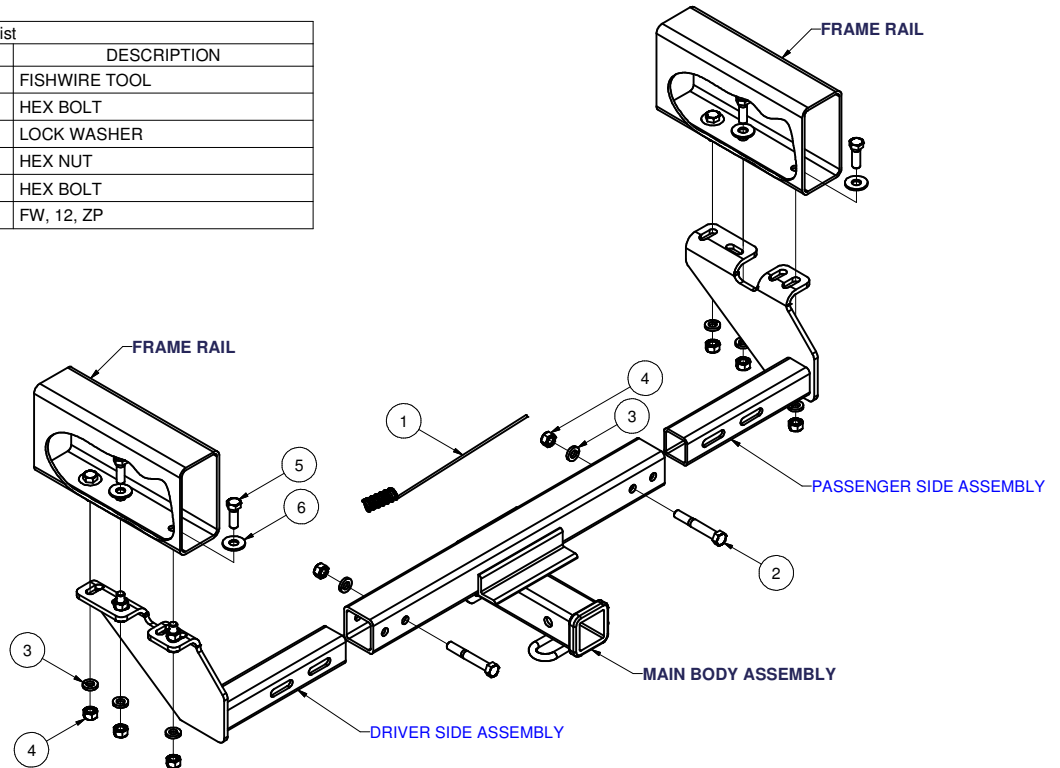
GROSS LOAD CAPACITY WHEN USED AS A WEIGHT CARRYING HITCH: 5,000 LBS. TRAILER WEIGHT & 500 LBS. TONGUE WEIGHT.
GROSS LOAD CAPACITY WHEN USED AS A WEIGHT DISTRIBUTION HITCH: 7,500 LBS. TRAILER WEIGHT & 750 LBS. TONGUE WEIGHT

*****DO NOT EXCEED VEHICLE MANUFACTURER'S RECOMMENDED TOWING CAPACITY.*****

Parts List				
ITEM	QTY	PART NUMBER	DESCRIPTION	
1	1	1/2"	FISHWIRE TOOL	
2	2	1/2-13 x 3 1/2"	HEX BOLT	
3	8	1/2"	LOCK WASHER	
4	8	1/2-13	HEX NUT	
5	6	1/2 - 13 x 1 1/2	HEX BOLT	
6	6	FW12	FW, 12, ZP	



FISHWIRE DIAGRAM



HITCH WEIGHT: 42 LBS.
INSTALL TIME: 60 MINUTES
INSTALL NOTES:
-DRILLING REQUIRED
-FISHWIRE FASTENERS

INSTALLATION STEPS

- 1) Measure center to center distance of frame rails.
For 31" - 33-1/2" frame use holes 1 and 4.
For 35" frame use holes 2 and 4.
For 37-1/2" frame use holes 1 and 3.
For 39" frame use holes 1 and 3.
For 41" frame use holes 2 and 3.

- 2) Some vehicles may have one or two holes in the frame to help locate the hitch. Use the hole(s) in the frame and drill holes A, B, C, or D as recommended on the vehicle application listing on page (2)

On vehicles without frame holes, it is helpful to hold the hitch up to the frame using c-clamps, then mark and drill the holes in the frame.

On some vehicles (mostly Ford) the frame may have a rivet interfering with the installation. Remove the rivet and use the hole to bolt the hitch to the frame if desired or bolt to the frame using holes A, C, and D.

On Chevy and GMC Full-Size Vans, remove bumper bracket before installing hitch. **(Discard bracket)**

On Chevy and GMC Mini-Vans, place driver and passenger side frame rails between bumper bracket and frame. (For 1993 - 1997 Chevy Astrovan Ext. Cab, see diagram on page (3).

(Note: installation of some models may be easier if spare tire is removed during installation. On Ford trucks, the spare tire bracket must be removed or adjusted before installing hitch.)

PERIODICALLY CHECK THIS RECEIVER HITCH TO ENSURE THAT ALL FASTENERS ARE TIGHT AND THAT ALL STRUCTURAL COMPONENTS ARE SOUND.

Curt Manufacturing Inc., warrants this product to be free of defects in material and/or workmanship at the time of retail purchase by the original purchaser. If the product is found to be defective, Curt Manufacturing Inc., may repair or replace the product, at their option, when the product is returned, prepaid, with proof of purchase. Alteration to, misuse of, or improper installation of this product voids the warranty. Curt Manufacturing Inc.'s liability is limited to repair or replacement of products found to be defective, and specifically excludes liability for incidental or consequential loss or damage.

11/3/2006

8/22/2007



VISIT WWW.HITCHINFO.COM FOR CURRENT APPLICATION COVERAGE,
INSTALLATION SUPPORT AND BENEFICIAL TOWING INFORMATION




- 3) Bolt driver side plate to frame using 1/2" x 1-1/2" bolts, flat washers, lock washers, and 1/2" nuts, tighten firmly.
- 4) Slide main body assembly over driver side plate insert. Slide passenger side insert into main body.
(Note: main body assembly can be reversed for use on Ford Vans)
- 5) Align holes in driver side plate insert with holes in main body assembly and secure with 1/2" x 3-1/2" bolts, lock washers, and 1/2" nuts.
- 6) Align holes in passenger side plate insert with holes in main body assembly and secure with 1/2" x 3-1/2" bolts, lock washers, and 1/2" nuts.
- 7) Hold hitch up to frame and bolt passenger side plate to frame using 1/2" x 1-1/2" bolts, flat washers, lock washers, and 1/2" nuts.
- 8) Torque all 1/2" fasteners to 75 lb-ft. Driver side and passenger side insert tubes must be drawn together with the main body assembly tube to achieve metal to metal contact. This ensures proper installation.

VEHICLE

FRAME ATTACHMENT HOLES

CHEVROLET/GMC

FULL-SIZE BLAZER/JIMMY/YUKON/TAHOE
FULL-SIZE PICK-UPS/CLASSIC 
SUBURBAN
FULL-SIZE VAN
ASTROVAN 

DRILL HOLES A, C, & D
DRILL HOLES C & D. ALSO USE HOLE A 
DRILL HOLES C & D. ALSO USE HOLE A 
DRILL HOLES C & D. ALSO USE HOLE A 
DRILL HOLE D. ALSO USE HOLES B & C

CHRYSLER

TOWN & COUNTRY



DODGE

FULL-SIZE PICK-UPS
DAKOTA
RAMCHARGER
CARAVAN

DRILL HOLES A, C & D
DRILL HOLES B, C & D
DRILL HOLES A, B & D
DRILL HOLES A & D

FORD

BRONCO
FULL-SIZE PICK-UPS
RANGER 8' BED
FULL-SIZE VAN

DRILL HOLES A, C & D
DRILL HOLES A, C & D
DRILL HOLES C & D. ALSO USE HOLE A 
DRILL HOLES C & D. ALSO USE HOLE A OR B 

PLYMOUTH

TRAIL DUSTER


TOYOTA TUNDRA

FULL-SIZE PICK-UPS 8' BED

NISSAN

FULL-SIZE PICK-UPS 8' BED

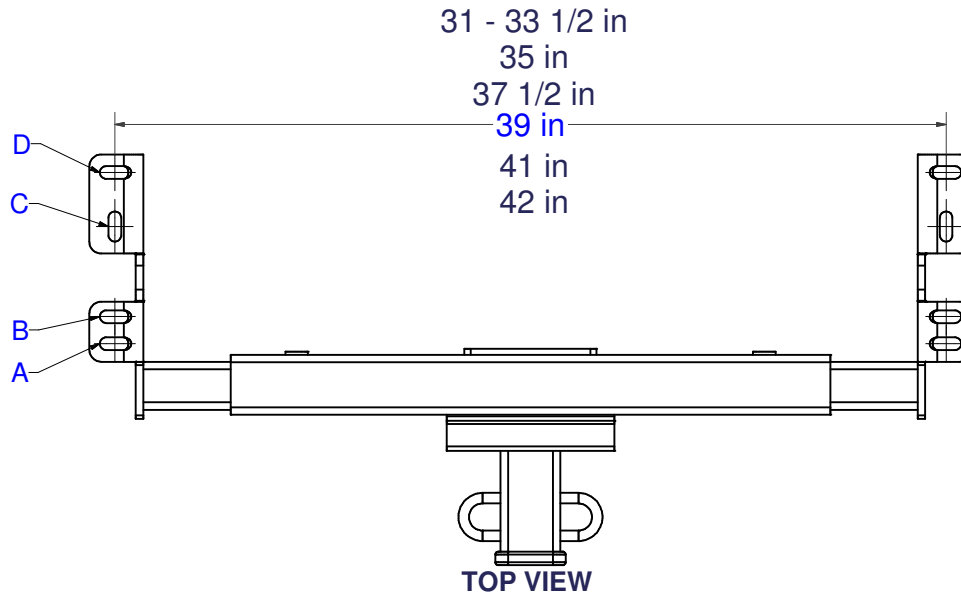
 EXISTING HOLES IN FRAME

 3500# WEIGHT CARRYING
5500# WEIGHT DISTRIBUTING

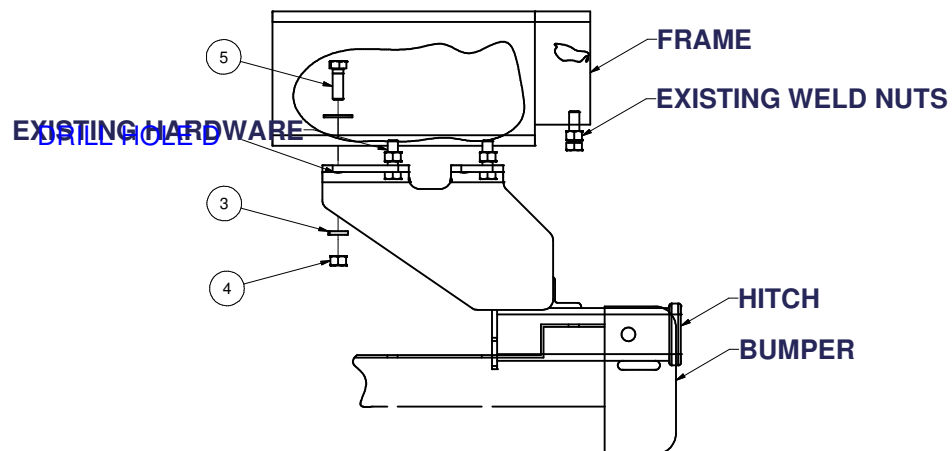
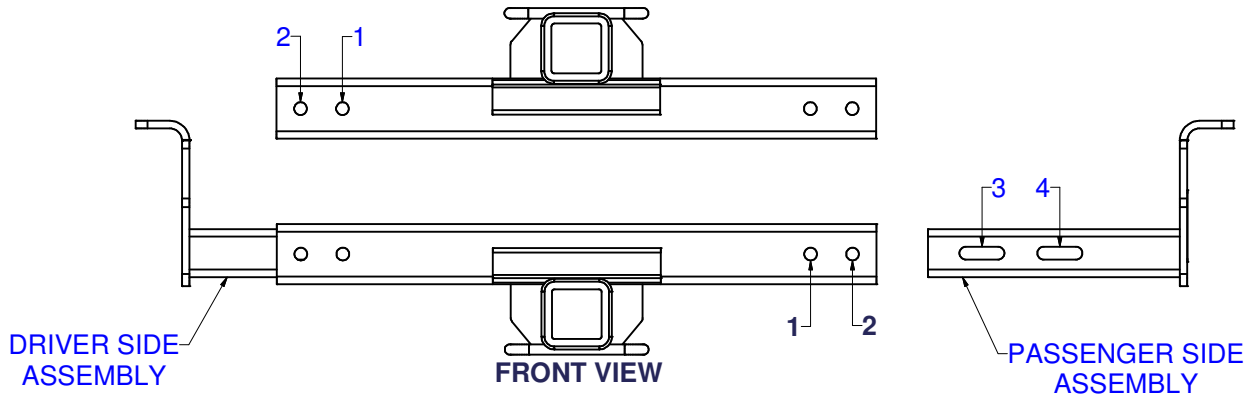
 SPARE TIRE MUST BE REMOVED

8/22/2007

VISIT WWW.HITCHINFO.COM FOR CURRENT APPLICATION COVERAGE,
INSTALLATION SUPPORT AND BENEFICIAL TOWING INFORMATION



(NOTE: MAIN BODY ASSEMBLY CAN BE REVERSED FOR USE ON FORD VANS)



SIDE VIEW OF CHEVY ASTROVAN INSTALL

Curt Manufacturing Inc., warrants this product to be free of defects in material and/or workmanship at the time of retail purchase by the original purchaser. If the product is found to be defective, Curt Manufacturing Inc., may repair or replace the product, at their option, when the product is returned, prepaid, with proof of purchase. Alteration to, misuse of, or improper installation of this product voids the warranty. Curt Manufacturing Inc.'s liability is limited to repair or replacement of products found to be defective, and specifically excludes liability for incidental or consequential loss or damage.