

15198

TOYOTA TUNDRA

6/29/2009

GROSS LOAD CAPACITY WHEN USED AS A WEIGHT CARRYING HITCH: 12,000 LBS. TRAILER WEIGHT & 1,200 LBS. TONGUE WEIGHT.
 GROSS LOAD CAPACITY WHEN USED AS A WEIGHT DISTRIBUTION HITCH: 14,000 LBS. TRAILER WEIGHT & 1,400 LBS. TONGUE WEIGHT.
*****DO NOT EXCEED VEHICLE MANUFACTURER'S RECOMMENDED TOWING CAPACITY.*****

Parts List			
ITEM	QTY	PART NUMBER	DESCRIPTION
1	4	9/16	LOCK WASHER
2	4	CM-SP22	.250 x 1.50 x 1.50" RND HOLE SPACER
3	4	9_16-12 FLANGE NUT	HEX FLANGE NUT
4	4	9_16 WASHER USS FLAT	FLAT WASHER
5	4	9/16-12 x 1 1/2	HEX BOLT
6	4	1/2"	CONICAL TOOTHED WASHER

TOOLS REQUIRED

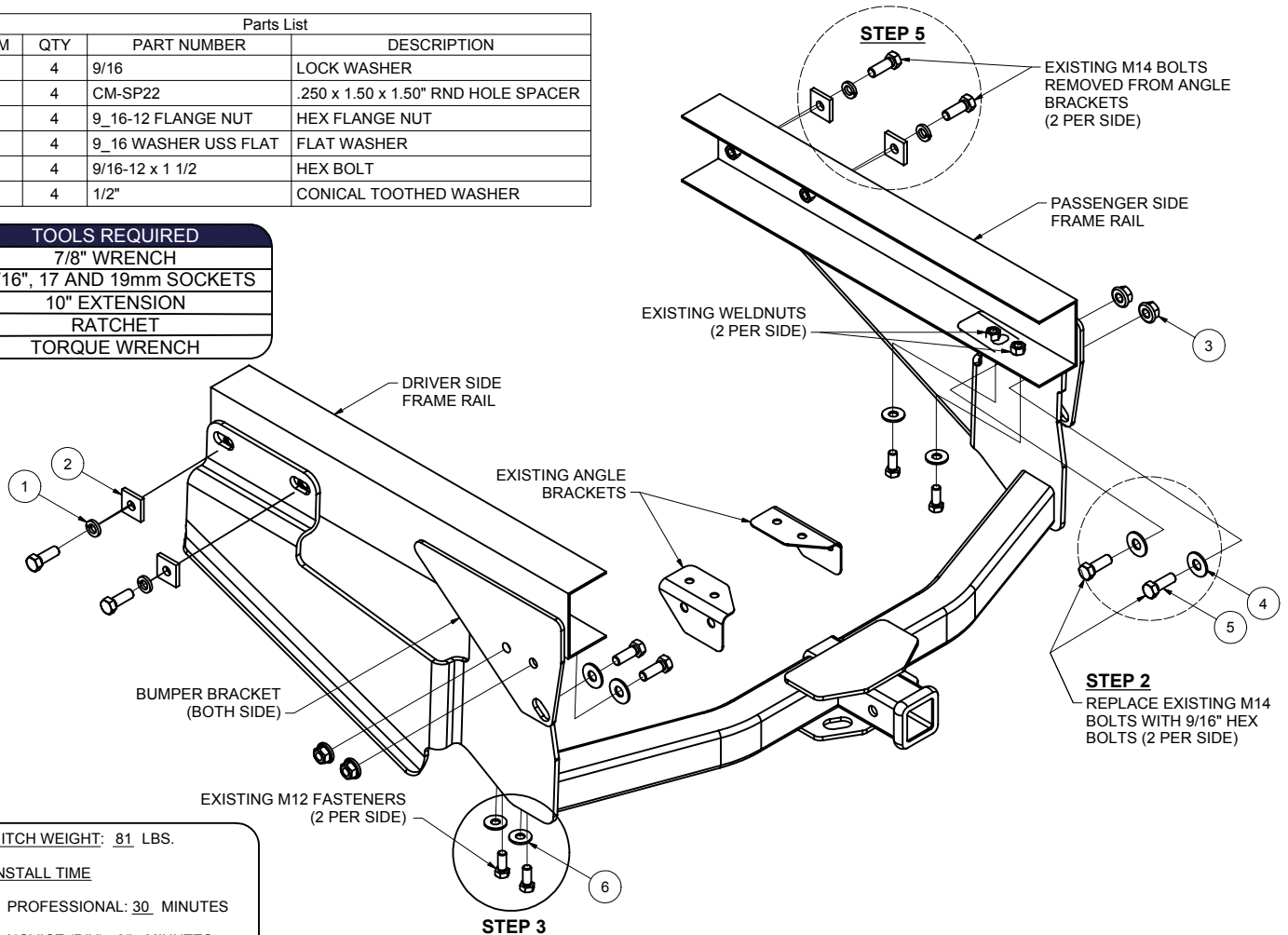
7/8" WRENCH

13/16", 17 AND 19mm SOCKETS

10" EXTENSION

RATCHET

TORQUE WRENCH



HITCH WEIGHT: 81 LBS.

INSTALL TIME

PROFESSIONAL: 30 MINUTES

NOVICE (DIY): 65 MINUTES

INSTALL NOTES:

- NO DRILLING REQUIRED

INSTALLATION STEPS

- 1) Remove the (8) bolts securing the existing angle brackets between the truck frame rails. Return the angle brackets to the vehicle owner. Save the bolts as they will be used to secure hitch in Steps 3 and 4.
- 2) Raise the hitch into position and secure it to the vehicles frame using the supplied 9/16" hardware as shown. (Hand tighten.)
- 3) Re-install (4) M12-1.25 bolts (removed in Step 1) with conical toothed washers through the hitch and into the weld nuts in the frame as shown. (Hand tighten.)
- 4) Place a 9/16" lock washer and CM-SP22 spacer onto each of the (4) M14-1.50 bolts removed in Step 1 as shown.
- 5) Secure the hitch to the frame using the hardware as assembled in Step 4 and the existing weldnuts in the frame rail as shown. (Hand tighten.)
- 6) Torque hardware as noted: M12 hardware to 65 lb-ft.; M14 hardware to 101 lb-ft.; 9/16" hardware to 110 lb-ft.

PERIODICALLY CHECK THIS RECEIVER HITCH TO ENSURE THAT ALL FASTENERS ARE TIGHT AND THAT ALL STRUCTURAL COMPONENTS ARE SOUND.

Curt Manufacturing Inc., warrants this product to be free of defects in material and/or workmanship at the time of retail purchase by the original purchaser. If the product is found to be defective, Curt Manufacturing Inc., may repair or replace the product, at their option, when the product is returned, prepaid, with proof of purchase. Alteration to, misuse of, or improper installation of this product voids the warranty. Curt Manufacturing Inc.'s liability is limited to repair or replacement of products found to be defective, and specifically excludes liability for incidental or consequential loss or damage.