

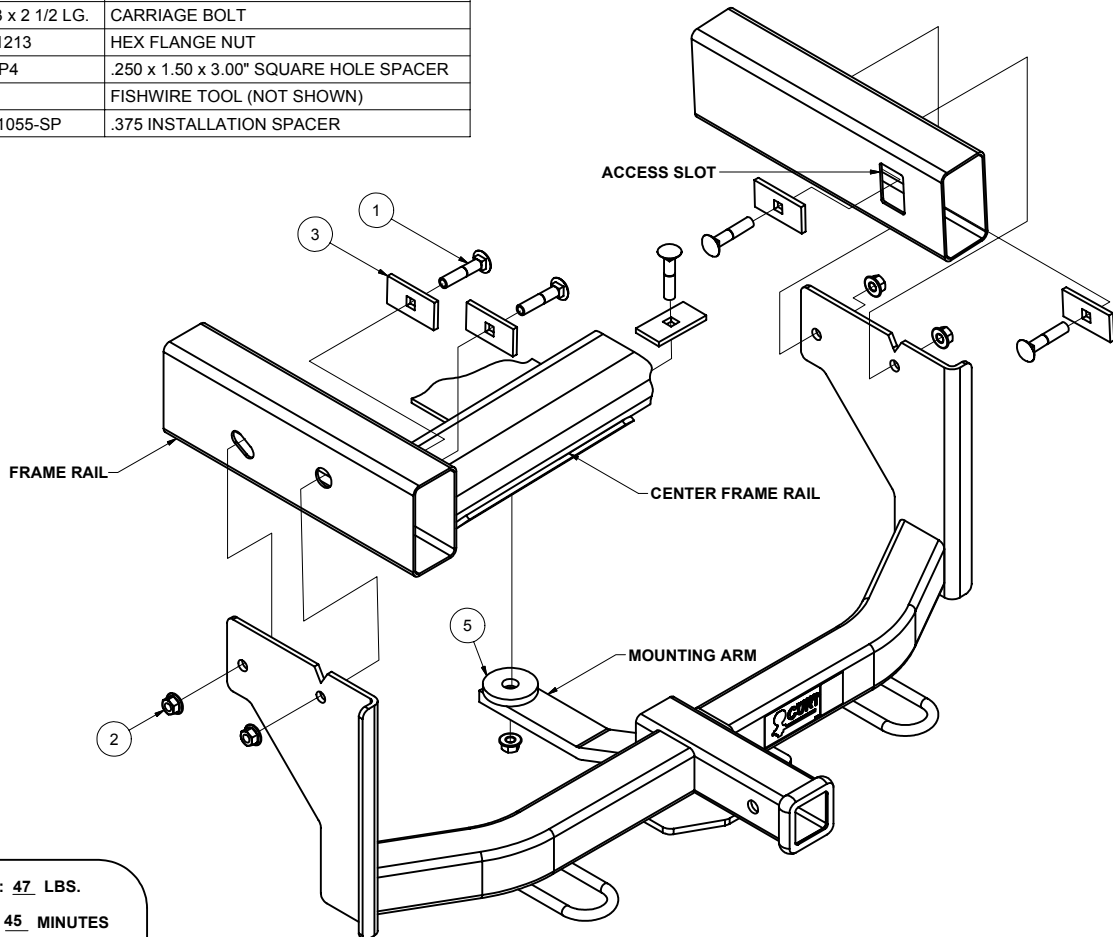
31055 CHEVY TRAILBLAZER. GMC ENVOY & DENALI, BUICK RAINER

1/23/2009

GROSS LOAD CAPACITY WHEN USED AS A WEIGHT CARRYING HITCH: 3,500 LBS. TRAILER WEIGHT & 350 LBS. TONGUE WEIGHT.
STRAIGHT LINE PULL CAPACITY: 9,000 LBS. TRAILER WEIGHT & 900 LBS. TONGUE WEIGHT

*****DO NOT EXCEED VEHICLE MANUFACTURER'S RECOMMENDED TOWING CAPACITY.*****

Parts List				
ITEM	QTY	PART NUMBER	DESCRIPTION	
1	5	1/2-13 x 2 1/2 LG.	CARRIAGE BOLT	
2	5	HFN 1213	HEX FLANGE NUT	
3	5	CM-SP4	.250 x 1.50 x 3.00" SQUARE HOLE SPACER	
4	1	1/2"	FISHWIRE TOOL (NOT SHOWN)	
5	1	CM-31055-SP	.375 INSTALLATION SPACER	



HITCH WEIGHT: 47 LBS.

INSTALL TIME: 45 MINUTES

INSTALL NOTES:

- NO DRILLING REQ.
- FASCIA TRIMMING REQ.
- FISHWIRING REQ.

INSTALLATION STEPS

- 1) Remove lower portion of front bumper fascia.
- 2) Fishwire 1/2" carriage bolt and spacer into center frame section as shown.
- 3) Raise hitch into position. Align mounting arm hole with previously fishwired carriage bolt. Place the circular spacer provided between the mounting arm and frame before fastening with a 1/2" flange nut.
(Note: Side plate may be snug fitting over sway arms. Will need to be rotated and pushed into position.)
- 4) Fishwire remaining carriage bolts and spacers through large frame slots. Slots are located on the inside of frame rails. Pull bolts out through hitch side plate holes and fasten with flange nuts.
- 5) Torque all 1/2" fasteners to 75 ft.-lbs.
- 6) Notch out lower fascia trim to fit around receiver tube and reposition on vehicle.

PERIODICALLY CHECK THIS RECEIVER HITCH TO ENSURE THAT ALL FASTENERS ARE TIGHT AND THAT ALL STRUCTURAL COMPONENTS ARE SOUND.

Curt Manufacturing Inc., warrants this product to be free of defects in material and/or workmanship at the time of retail purchase by the original purchaser. If the product is found to be defective, Curt Manufacturing Inc., may repair or replace the product, at their option, when the product is returned, prepaid, with proof of purchase. Alteration to, misuse of, or improper installation of this product voids the warranty. Curt Manufacturing Inc.'s liability is limited to repair or replacement of products found to be defective, and specifically excludes liability for incidental or consequential loss or damage.

31055 CHEVY TRAILBLAZER, GMC ENVOY & DENALI, BUICK RAINER

VISIT WWW.HITCHINFO.COM FOR CURRENT APPLICATION COVERAGE,
INSTALLATION SUPPORT AND BENEFICIAL TOWING INFORMATION

*****DO NOT EXCEED VEHICLE MANUFACTURER'S RECOMMENDED TOWING CAPACITY*****.

FRONT MOUNTED ACCESSORIES

1) Do not exceed front axle Gross Weight Rating (GAWR). Consult owners manual or specification plate located on driver's door frame. Measure gross front axle weight by placing front wheels of loaded vehicle on a scale.

WARNING: Exceeding GAWR may overload the front axle and/or suspension. This could result in **accident, property damage and personal injury.**

2) Reposition front mounted license plate if obstructed.

3) Do not obstruct vehicle lights.

4) Allow free air flow into grille opening.

5) Rear wheel traction may be reduced. This could effect handling. Reduce speed and drive with caution.

6) Accessories extend front of vehicle. This may reduce approach angle. Use caution when parking and maneuvering.

7) Do not obstruct driver view.

VEHICLE RECOVERY AND WINCHING TIPS

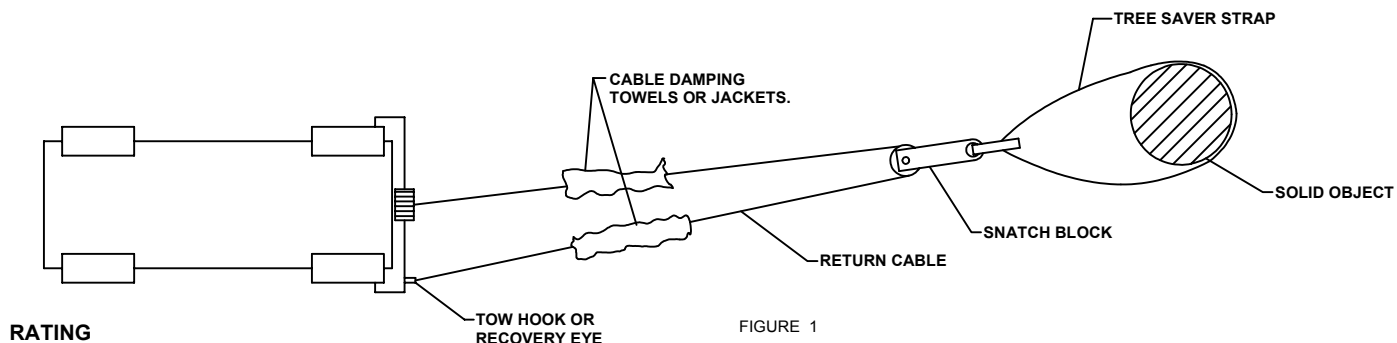
1) Use OEM tow hooks, recovery eyes or a clevis mount for attachment of a tow strap or winch cable.

WARNING: NEVER use a ball and/or ball mount as an anchor point for tow strap or winch cable. Severe personal injury or death could result.

2) Observe winch manufacturer's recommendations, cautions and warnings.

3) Attach return cable to tow hook or recovery eye when using a snatch block (See figure 1).

CAUTION: Do not attach return cable to winch mount. This may overload winch mount and/or front mounted receiver.



For **Maximum** line pull rating, winch cable must not exceed:

- 15 degree angle up or down from horizontal (See Figure 2).
- 45 degree angle left or right from straight ahead (See Figure 3).

CAUTION: Exceeding the maximum line pull rating may over load winch, winch mount, and/or front mounted receiver.

